



IP67

# MIK01

## SURFACE FLUORESCENT LUMINARY

### APPLICATION AREA:

Surface luminary for kitchens, galleys, pantries and provision stores, where there are strict hygiene rules.

### DESIGN:

According to rules of USPH (U.S.Public Health) and to rules of maritime classification societies, additional VDE and IEC/EN.

### HOUSING:

Stainless steel.  
Diffuser made of clear polycarbonate, UV stabilized (opal diffuser available).

### LAMPS:

14W or 24W T5, 28W or 35W T5, 54W T5.

### MOUNTING:

Four or six holes  
(Please see the drawings).

### CONNECTION:

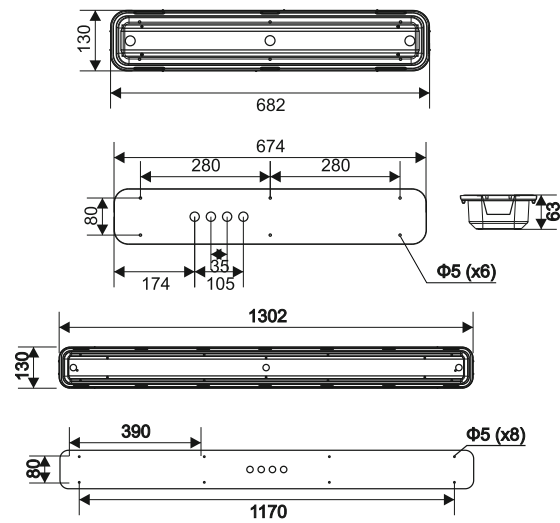
Pass through wiring 2 with push terminal 2.5mm.

### ELECTRIC:

220-240 V 50-60 Hz, flexible cable, heat resistant up 105 °C (additional electrical systems available, please see the order codes table).

### CABLE ENTRY:

Four cable grommets M20.



### ORDER CODES:

CODE	VOLTAGE	FREQUENCY	BALLAST	LAMP
MIK01-214-35	220-240V	50-60Hz	1 ELECTRONIC	T5-14 or 24W
MIK01-228-35	220-240V	50-60Hz	1 ELECTRONIC	T5-28 or 35W
MIK01-254-35	220-240V	50-60Hz	1 ELECTRONIC	T5-54W



# MIK02

IP67

## SURFACE FLUORESCENT LUMINARY

### APPLICATION AREA:

Surface luminary for kitchens, galleys, pantries and provision stores, where there are strict hygiene rules.

### DESIGN:

According to rules of USPH (U.S.Public Health) and to rules of maritime classification societies, additional VDE and IEC/EN.

### HOUSING:

Stainless steel.  
Diffuser made of clear polycarbonate, UV stabilized (opal diffuser available).

### LAMPS:

LED Module.

### MOUNTING:

Four or six holes  
(Please see the drawings)

### CONNECTION:

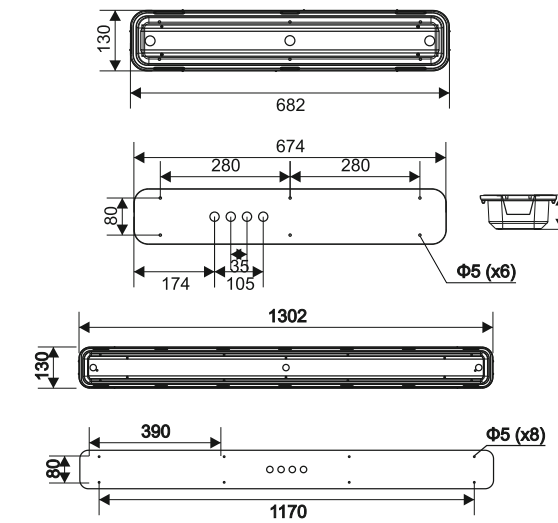
Pass through wiring 2 with push terminal 2.5mm  
Pass through with Wieland watertight connector.

### ELECTRIC:

220-240 V 50-60 Hz, flexible cable, heat resistant up 105 °C.  
(additional electrical systems available, please see the order codes table)

### CABLE ENTRY:

Four cable grommets M20.



### ORDER CODES:

CODE	VOLTAGE	FREQUENCY	WATTAGE	LAMP
MIK02-LED-56	220-240V	50-60Hz	20 W	LED MODULE
MIK02-LED-112	220-240V	50-60Hz	42 W	LED MODULE

