



IP44

MIT01

SURFACE FLUORESCENT BATHROOM LUMINARY

APPLICATION AREA:

Surface luminary for use in bathrooms.

DESIGN:

According to the rules of international classification societies, VDE and IEC.

HOUSING:

Zinc coated steel, powder coated RAL9010.
Diffuser made of opal acrylic.

LAMPS:

15W T8.

MOUNTING:

Four mounting holes 6 mm.

ELECTRIC:

230V 50 or 60Hz,
Flexible cable, heat resistant up to 105°C.

CABLE ENTRY:

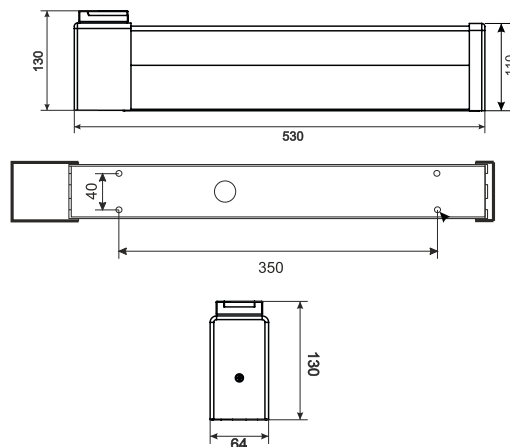
One cable inlet 25mm.

PROTECTION:

IP44

OPTIONS:

Emergency E14 lampholder.



ORDER CODES:

CODE	WATTAGE	VOLTAGE	FREQUENCY
MIT01 115-35	15W	220-240V	50-60Hz