



IP67

# MOFA150

## ALUMINUM LED FLOODLIGHT

### APPLICATION AREA:

Multipurpose LED floodlights for engine rooms, weather-exposed areas, cargo holds, decks, stores, workshops, industrial areas.

### DESIGN:

According to the rules of international classification societies, VDE and IEC.

### HOUSING:

Aluminum marine grade, anodized.  
Diffuser made of safety glass.

### MOUNTING:

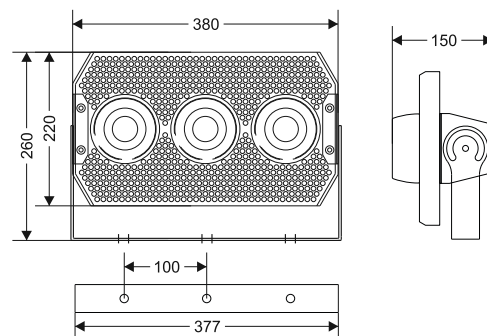
Stainless steel bracket with three holes  $\varnothing 10$ .

### ELECTRIC:

90-260 VAC 50-60 Hz.

### LAMPS:

LED Module.



### ORDER CODES:

CODE	WATTAGE	VOLTAGE	FREQUENCY	BEAM
MOFA 150-SB	150W	90-260V	50-60 Hz	21Å
MOFA 150-NB	150W	90-260V	50-60 Hz	35ç
MOFA 150-WB	150W	90-260V	50-60 Hz	64Å