



IP67

MOFA50 LED

ALUMINUM LED FLOODLIGHT

APPLICATION AREA:

Multipurpose LED floodlights for engine rooms, weather-exposed areas, cargo holds, decks, stores, workshops, industrial areas.

DESIGN:

According to the rules of international classification societies, VDE and IEC.

HOUSING:

Aluminum marine grade, anodized.
Diffuser made of safety glass

MOUNTING:

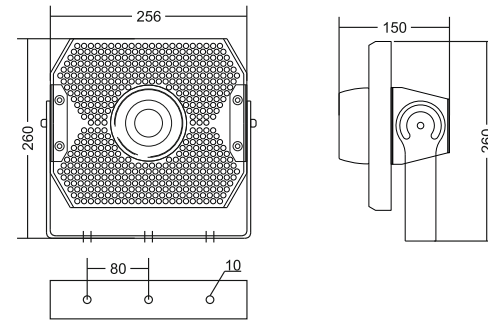
Stainless steel bracket with three holes $\varnothing 10$.

ELECTRIC:

90-260 VAC 50-60 Hz.

LAMPS:

LED Module.



ORDER CODES:

| CODE | WATTAGE | VOLTAGE | FREQUENCY | BEAM |
|------------|---------|---------|-----------|-----------|
| MOFA 50-SB | 50W | 90-260V | 50-60 Hz | 21A |
| MOFA 50-NB | 50W | 90-260V | 50-60 Hz | 35 ϕ |
| MOFA 50-WB | 50W | 90-260V | 50-60 Hz | 64A |



MOFA100

IP67

ALUMINUM LED FLOODLIGHT

APPLICATION AREA:

Multipurpose LED floodlights for engine rooms, weather-exposed areas, cargo holds, decks, stores, workshops, industrial areas.

DESIGN:

According to the rules of international classification societies, VDE and IEC.

HOUSING:

Aluminum marine grade, anodized.
Diffuser made of safety glass

MOUNTING:

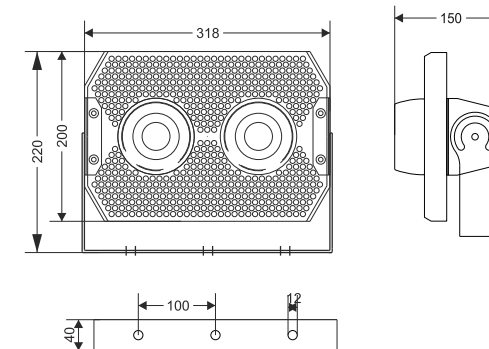
Stainless steel bracket with three holes $\varnothing 10$.

ELECTRIC:

90-260 VAC 50-60 Hz.

LAMPS:

LED Module.



ORDER CODES:

| CODE | WATTAGE | VOLTAGE | FREQUENCY | BEAM |
|-------------|---------|---------|-----------|-----------|
| MOFA 100-SB | 100W | 90-260V | 50-60 Hz | 21A |
| MOFA 100-NB | 100W | 90-260V | 50-60 Hz | 35 ϕ |
| MOFA 100-WB | 100W | 90-260V | 50-60 Hz | 64A |

