



IP67

# MOFS05

## STAINLESS STEEL FLOODLIGHT FOR HST/HSI E40 LAMP

### APPLICATION AREA:

Multipurpose floodlights for engine rooms, weather-exposed areas, cargo holds, decks, stores, workshops, industrial areas.

### DESIGN:

According to the rules of international classification societies, VDE and IEC.

### HOUSING:

Stainless steel, powder coated white RAL 9016.  
Diffuser made of safety glass.  
Reflector made of anodized aluminum, wide beam angle.



### MOUNTING:

Stainless steel bracket with three holes  $\varnothing 17$ .

### CONNECTION:

Junction box with 6mm terminal and ignitors

### ELECTRIC:

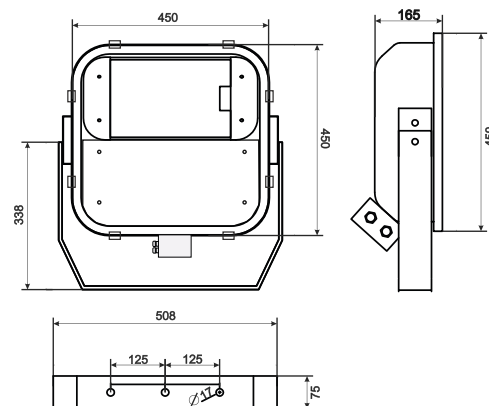
230 V 50 or 60 Hz.  
Flexible cable, heat resistant.

### LAMPS:

HST/HSI-E40.

### CABLE ENTRY:

Brass cable gland M25.



### ORDER CODES:

| CODE       | VOLTAGE                           | FREQUENCY | POWER | LAMP |
|------------|-----------------------------------|-----------|-------|------|
| MOFS5-2E40 | PLEASE SEE THE BALLAST UNIT TABLE |           |       | E40  |

### BALAST UNIT FOR HST/HSI E40 LAMPS:

| CODE            | VOLTAGE | FREQUENCY | WEIGHT |
|-----------------|---------|-----------|--------|
| MOFS5 BU-250-11 | 230V    | 50Hz      | 20 Kg  |
| MOFS5 BU-250-12 | 230V    | 60Hz      | 20 Kg  |
| MOFS5 BU-250-14 | 110V    | 60Hz      | 20 Kg  |
| MOFS5 BU-400-11 | 230V    | 50Hz      | 20 Kg  |
| MOFS5 BU-400-12 | 230V    | 60Hz      | 20 Kg  |
| MOFS5 BU-400-14 | 110V    | 60Hz      | 20 Kg  |